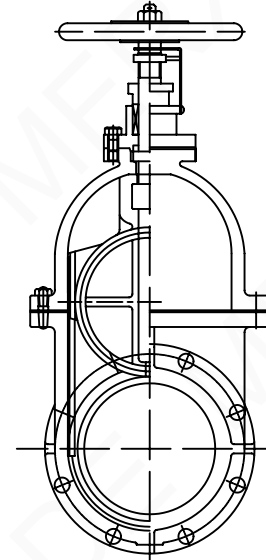
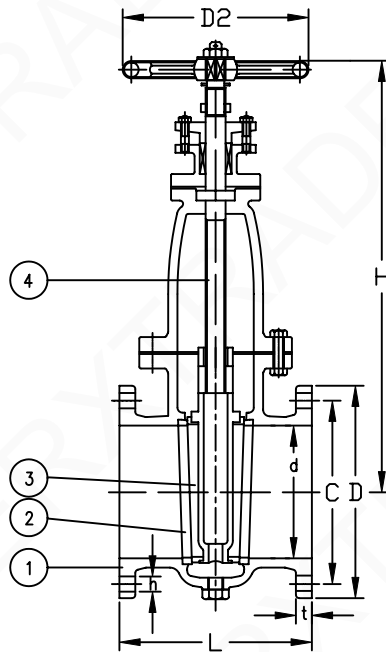


SERIES F7366 - JIS 10K

Cast Steel Gate Valve

Manufactured in accordance to JIS F7400

Flanges as per JIS B2220 - 10K



Part Nr.	Material	Code
1 - Body	Cast Steel	SC450
2 - Seat	Stainless Steel	SUS304
3 - Disc	Stainless Steel	SUS304
4 - Stem	Stainless Steel	SUS304

Pressure	10bar
Flanges drilled	JIS 10K

The installation length and flange dimensions are the same as those in the table. The height size (H) can differ slightly per brand.
 The stainless steel parts are made of SUS304 or equal to.

Size	L	D	C	No.	h	t	H	D2	Kg
050	200	155	120	4	19	16	300	140	17.1
065	220	175	140	4	19	18	350	160	26.5
080	230	185	150	8	19	18	400	180	31.5
100	250	210	175	8	19	18	450	200	44.9
125	270	250	210	8	23	20	520	224	63.2
150	290	280	240	8	23	22	580	250	82.3
200	310	330	290	12	23	22	700	315	130
250	340	400	355	12	25	24	840	400	203
300	380	445	400	16	25	24	960	450	291
350	420	490	445	16	25	26	1050	500	368
400	480	560	510	16	27	28	1150	560	507